



BP432BX AC/DC

BP432BX Adaptive COT

1.25 V  
CCM DCM  
3.3 V  
BP432BX  
70 kHz

BP432BX  
FB

BP432BC /14 V BP432BD /23

V

BP432BX SOT23-6

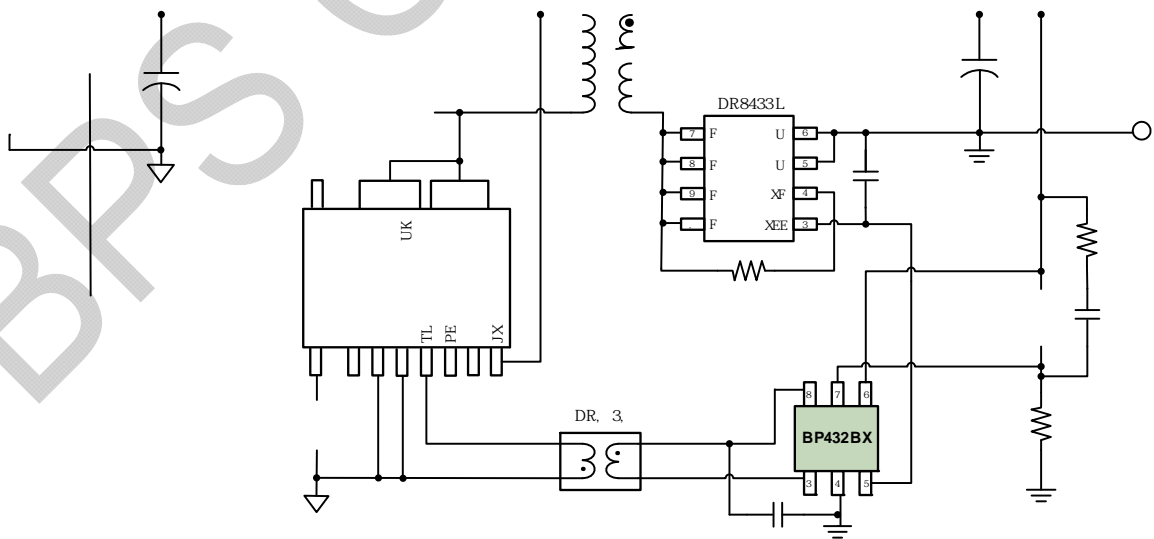


SOT23-6

- 
- 1.25 V
- Adaptive COT
- 
- 
- CCM DCM
- 
- 

FB

- QC / USB PD / AC/DC
- 
- AC/DC



1. BP432BX

BPS Complete

BPS Confidential